

215083-8 ✓ ACTIVE

[Micro-MaTch](#) | [Micro-MaTch Industrial](#)

TE Internal #: 215083-8

Ribbon Cable Connectors, Cable-to-Board, 8 Position, 1.27 mm [.05 in] Centerline, Vertical, Through Hole - Solder, 2 Row, Plug, Micro-MaTch Industrial

[View on TE.com >](#)



[Connectors](#) > [PCB Connectors](#) > [Wire-to-Board Connectors](#) > [FFC, FPC & Ribbon Connectors](#) > [Ribbon Cable Connectors](#) >

[Male-on-Wire Connector, Micro-MaTch](#)



Connector System: **Cable-to-Board**

Number of Positions: **8**

Centerline (Pitch): **1.27 mm [.05 in]**

PCB Mount Retention: **Without**

PCB Mount Orientation: **Vertical**

[All Male-on-Wire Connector, Micro-MaTch \(19\)](#)

Features

Product Type Features

| | |
|------------------------------------|--------------------|
| Ribbon Cable Connector Type | Male-On-Wire |
| Ribbon Cable Connector Header Type | Shrouded |
| Connector Product Type | Connector Assembly |
| Connector System | Cable-to-Board |
| Connector & Housing Type | Plug |
| Connector & Contact Terminates To | Wire & Cable |

Configuration Features

| | |
|-----------------------|----------|
| Number of Positions | 8 |
| PCB Mount Orientation | Vertical |
| Number of Rows | 2 |

Electrical Characteristics

| | |
|-----------------------|-----------------|
| Insulation Resistance | 1000 M Ω |
| Operating Voltage | 100 VAC |

Body Features

| | |
|-----------------------|------|
| Daisy Chain | With |
| Primary Product Color | Red |



| | |
|-------------------|----------|
| Connector Profile | Standard |
|-------------------|----------|

Contact Features

| | |
|---|---|
| Mating Tab Width | .7 mm[.028 in] |
| Mating Tab Thickness | .4 mm[.016 in] |
| Contact Type | Pin |
| Wire Contact Termination Area Plating Thickness | 3 – 5 μm [118.11 – 196.85 μin] |
| Wire Contact Termination Area Plating Material Finish | Matte |
| Wire Contact Termination Area Plating Material | Tin |
| Contact Mating Area Plating Material Thickness | 3 – 5 μm [118.11 – 196.85 μin] |
| Contact Mating Area Plating Material | Tin |
| PCB Contact Termination Area Plating Material Finish | Matte |
| Contact Underplating Material | Nickel |
| PCB Contact Termination Area Plating Material | Tin |
| Contact Base Material | Phosphor Bronze |
| Contact Current Rating (Max) | 1.5 A |

Termination Features

| | |
|---|-------------------------------|
| Termination Method to Wire & Cable | Insulation Displacement (IDC) |
| Termination Method to Printed Circuit Board | Through Hole - Solder |

Mechanical Attachment

| | |
|---------------------------------------|----------------------------|
| Mating Alignment | With |
| Contact Retention Type Within Housing | Press-Fit |
| PCB Mount Alignment | Without |
| PCB Mount Retention | Without |
| Mating Alignment Type | Polarization |
| Mating Retention | With |
| Mating Retention Type | Contact Friction |
| Connector Mounting Type | Cable Mount (Free-Hanging) |

Housing Features

| | |
|--------------------|-----------------|
| Housing Material | PBT GF |
| Centerline (Pitch) | 1.27 mm[.05 in] |

Dimensions

| | |
|------------------|------------------|
| Connector Length | 13.6 mm[.535 in] |
|------------------|------------------|



| | |
|--------------------------------------|---------------------------|
| Connector Height | 6.8 mm[.27 in] |
| Compatible Insulation Diameter Range | .8 – 1 mm[.035 – .039 in] |
| Wire Size | .08 – .09 mm ² |
| Row-to-Row Spacing | 2 mm[.059 in] |

Usage Conditions

| | |
|-----------------------------|----------------------------|
| Operating Temperature Range | -40 – 105 °C[-40 – 221 °F] |
|-----------------------------|----------------------------|

Operation/Application

| | |
|---------------------|--------|
| Circuit Application | Signal |
|---------------------|--------|

Industry Standards

| | |
|------------------------|------------|
| UL Rating | Recognized |
| Agency/Standard | UL |
| UL Flammability Rating | UL 94V-0 |

Packaging Features

| | |
|--------------------|------|
| Packaging Quantity | 2500 |
| Packaging Method | Reel |

Product Compliance

[For compliance documentation, visit the product page on TE.com>](#)

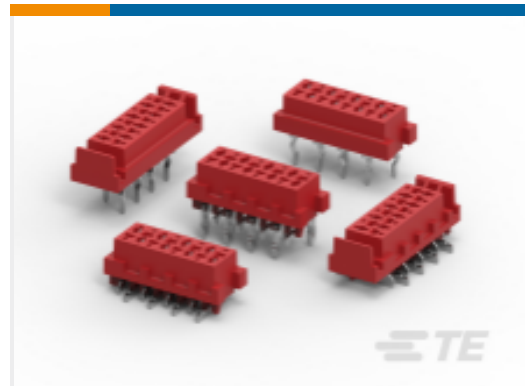
| | |
|---|---|
| EU RoHS Directive 2011/65/EU | Compliant |
| EU ELV Directive 2000/53/EC | Compliant |
| China RoHS 2 Directive MIIT Order No 32, 2016 | No Restricted Materials Above Threshold |
| EU REACH Regulation (EC) No. 1907/2006 | Current ECHA Candidate List: JAN 2023 (233) Candidate List Declared Against: JAN 2023 (233) Does not contain REACH SVHC |
| Halogen Content | Not Low Halogen - contains Br or Cl > 900 ppm. |
| Solder Process Capability | Not applicable for solder process capability |

Product Compliance Disclaimer

This information is provided based on reasonable inquiry of our suppliers and represents our current actual knowledge based on the information they provided. This information is subject to change. The part numbers that TE has identified as EU RoHS compliant have a maximum concentration of 0.1% by weight in homogenous materials for lead, hexavalent chromium, mercury, PBB, PBDE, DBP, BBP, DEHP, DIBP, and 0.01% for cadmium, or qualify for an exemption to these limits as defined in the Annexes of Directive 2011/65/EU (RoHS2). Finished electrical and electronic equipment products will be CE marked as required by Directive 2011/65/EU. Components may not be CE marked. Additionally, the part numbers that TE has identified as EU ELV compliant have a maximum concentration of 0.1% by weight in homogenous

materials for lead, hexavalent chromium, and mercury, and 0.01% for cadmium, or qualify for an exemption to these limits as defined in the Annexes of Directive 2000/53/EC (ELV). Regarding the REACH Regulation, the information TE provides on SVHC in articles for this part number is based on the latest European Chemicals Agency (ECHA) 'Guidance on requirements for substances in articles' posted at this URL: <https://echa.europa.eu/guidance-documents/guidance-on-reach>

Compatible Parts



TE Part # CAT-M5833-F3492A
Female-on-Board Connector, Top Entry



TE Part # 7-215460-8
MICRO-MATCH FSID P



TE Part # 338070-8
MICRO-MATCH FEM.SE



TE Part # 100400-8
MICRO-MATCH FSID NP



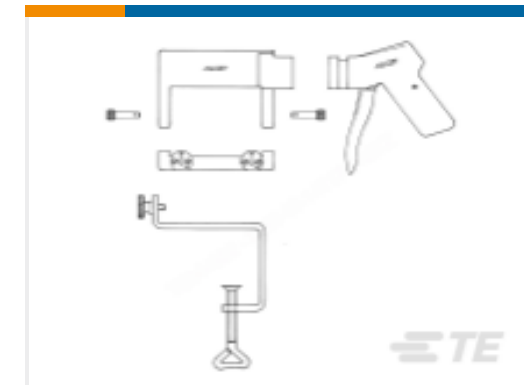
TE Part # 7-188431-8
MM 8p FIB SMD connector



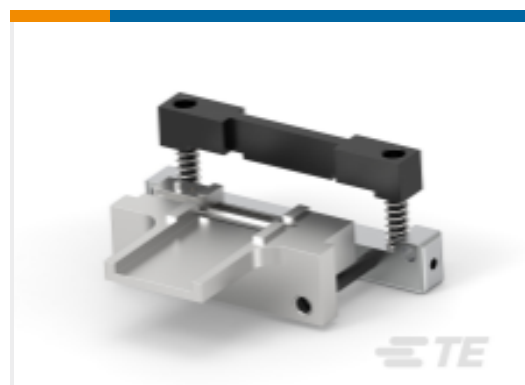
TE Part # 215460-8
MICRO-MATCH FEM.SE



TE Part # 7-100400-8
MICRO-MATCH FSID NP



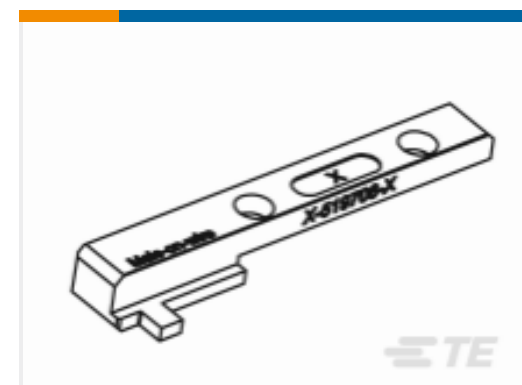
TE Part # 734155-1
TOOLING KIT ASSY.



TE Part # 734024-1
ADAPTER (MICROMATCH)



TE Part # 167019-8
08P. RIBBCBL 28AWG P1.27



TE Part # 519708-1
TERMINATION PUSHER



TE Part # 677412-4
SEMI AUTO.MACHINE, MICRO-MATCH, 4-24 POS

Also in the Series | Micro-MaTch Industrial



Board-In Connectors(20)



Insertion & Extraction Tools(1)



PCB Headers & Receptacles(1)



Pluggable I/O Cable Assemblies(53)



Ribbon Cable Connectors(185)



Wire-to-Board Connector Contacts(4)

Customers Also Bought

TE Part #1-215083-6
Male-on-Wire Connector, Micro-MaTchTE Part #1-1418862-0
2POS. FIBER OPTIC HARNESS
CONNECTORTE Part #1-2372389-0
MICRO MNL, HDR ASSY, SINGLE
ROW, AUTE Part #1803426-2
ANVIL, COMBINATION, NO JOG,
END FEEDTE Part #2217984-3
ANVILTE Part #2837157-1
OCEAN_2.0_Applicator-S-110F155O

Documents

Product Drawings

[MICRO-MATCH MOW.08P](#)

English

CAD Files

[3D PDF](#)

3D

Customer View Model

[ENG_CVM_CVM_215083-8_U.2d_dxf.zip](#)

English

Customer View Model

[ENG_CVM_CVM_215083-8_U.3d_igs.zip](#)

English

Customer View Model

[ENG_CVM_CVM_215083-8_U.3d_stp.zip](#)

English

By downloading the CAD file I accept and agree to the [Terms and Conditions](#) of use.



Datasheets & Catalog Pages

Micro-MaTch Catalog

English

Ribbon Cable Interconnect Solutions

English

Centerline Micro-Match Connector Series

English

Product Specifications

Application Specification

English

micro match miniature connector system

English

Product Environmental Compliance

Product Compliance Document

English

Product Compliance Document

English

Agency Approvals

UL Report

English