



Relays, Contactors & Switches > Relays > High Voltage Relays



High Voltage Relay Contact Arrangement: **1 Form X, SPST-NO**

High Voltage Connection (Coil): **Flying Leads**

High Voltage Connection (Power): **Stud Terminals**

Economizer: **External**

Auxiliary Contacts: **Without**

Features

Product Type Features

RF Rated	No
Product Type	Relay
Relay Type	High Voltage

Configuration Features

Economizer	External
Power Switching	Yes

Electrical Characteristics

High Voltage Relay Voltage (Max)	900 VDC
High Voltage Relay Coil Voltage Rating	9 – 36 VDC
High Voltage Relay Coil Resistance	3.14 Ω
High Voltage Relay Contact Switching Voltage (Max)	900

Contact Features

High Voltage Relay Contact Arrangement	1 Form X, SPST-NO
Auxiliary Contacts	Without
High Voltage Relay Contact Current Rating	500 A
Contact Base Material	Copper

Termination Features



High Voltage Connection (Coil)	Flying Leads
High Voltage Connection (Power)	Stud Terminals
Termination Style	Stud Terminals

Mechanical Attachment

High Voltage Relay Mounting Type	Bottom
----------------------------------	--------

Product Compliance

[For compliance documentation, visit the product page on TE.com>](#)

EU RoHS Directive 2011/65/EU	Compliant
EU ELV Directive 2000/53/EC	Compliant
China RoHS 2 Directive MIIT Order No 32, 2016	No Restricted Materials Above Threshold
EU REACH Regulation (EC) No. 1907/2006	Current ECHA Candidate List: JAN 2023 (233) Candidate List Declared Against: JAN 2023 (233) Does not contain REACH SVHC
Halogen Content	Low Halogen - Br, Cl, F, I < 900 ppm per homogenous material. Also BFR/CFR/PVC Free
Solder Process Capability	Hand solderable with lead free solder

Product Compliance Disclaimer

This information is provided based on reasonable inquiry of our suppliers and represents our current actual knowledge based on the information they provided. This information is subject to change. The part numbers that TE has identified as EU RoHS compliant have a maximum concentration of 0.1% by weight in homogenous materials for lead, hexavalent chromium, mercury, PBB, PBDE, DBP, BBP, DEHP, DIBP, and 0.01% for cadmium, or qualify for an exemption to these limits as defined in the Annexes of Directive 2011/65/EU (RoHS2). Finished electrical and electronic equipment products will be CE marked as required by Directive 2011/65/EU. Components may not be CE marked. Additionally, the part numbers that TE has identified as EU ELV compliant have a maximum concentration of 0.1% by weight in homogenous materials for lead, hexavalent chromium, and mercury, and 0.01% for cadmium, or qualify for an exemption to these limits as defined in the Annexes of Directive 2000/53/EC (ELV). Regarding the REACH Regulation, the information TE provides on SVHC in articles for this part number is based on the latest European Chemicals Agency (ECHA) 'Guidance on requirements for substances in articles' posted at this URL: <https://echa.europa.eu/guidance-documents/guidance-on-reach>

Compatible Parts



TE Part # 2-1618002-3
EV250-1B=RELAY, SPST-NO



TE Part # 4-1618002-9
EV500-5B=RELAY, PRESSURIZED, S



TE Part # 2-1618002-6
EV250-2B=RELAY, 24VDC SPST-NO



TE Part # 1618002-1
EV200A1ANA=RELAY, UN-ECON
EV200



TE Part # 4-1618002-5
EV500-4B=RELAY, PRESSURIZED, S



TE Part # 2-1618002-4
EV250-2A=RELAY, 12VDC SPST-NO



TE Part # 6-1618006-6
AP150XB57=RELAY, VACUUM, SPST-



TE Part # 2-1618013-6
PD350XB57=RELAY, PRESSURIZED,



TE Part # 1618002-5
EV200AAACA=RELAY, EV200 SPST-N



TE Part # 2-1618002-2
EV250-1A=RELAY, SPST-NO



TE Part # 1-1618007-5
AP350XB57=RELAY, PRESSURIZED,



TE Part # 5-1618413-0
EV600HVANM = CONTACTOR, SPST-
NO 12V COIL



TE Part # 4-1618002-4
EV500-4A=RELAY, PRESSURIZED, S



TE Part # 4-1618002-8
EV500-5A=RELAY, PRESSURIZED, S



TE Part # 1-1618013-3
PD150XA57=RELAY, VACUUM, SPST-



TE Part # 1-1618013-4
PD150XB57=RELAY, VACUUM, SPST-



TE Part # 7-1618013-2
PD90XA57=RELAY, VACUUM, SPST-N



TE Part # 7-1618013-3
PD90XB57=RELAY, VACUUM, SPST-N



TE Part # 7-1618013-4
PD90XC57=RELAY, VACUUM, SPST-N

Also in the Series | **Kilovac EV200**



DC Contactors(1)



Definite Purpose Contactors(1)



High Voltage Relays(17)

Customers Also Bought



TE Part #1-1618002-1
EV200ADANA=RELAY, EV200 SPST-NO



TE Part #1-2177053-3
2POS,8MM HV,PLUG HSG,ASSY, SEALED



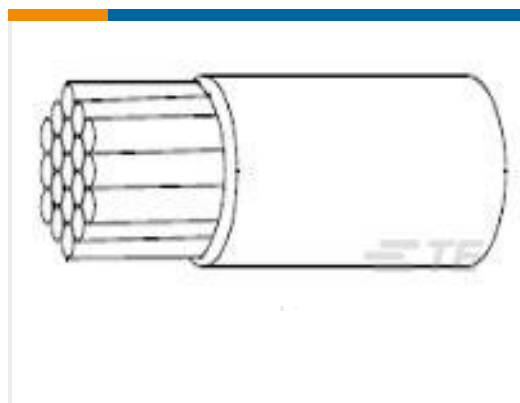
TE Part #1217378-1
RCPT 250 POS-LOCK 22-18 0126BR



TE Part #1437651-2
511611100=6 W/C-STEEL-COMBO



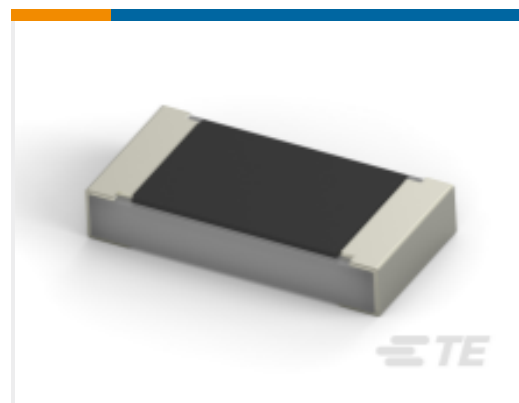
TE Part #YD369-P99-BS000000
369 9 WAY PLUG, NO CONTACTS, SKT



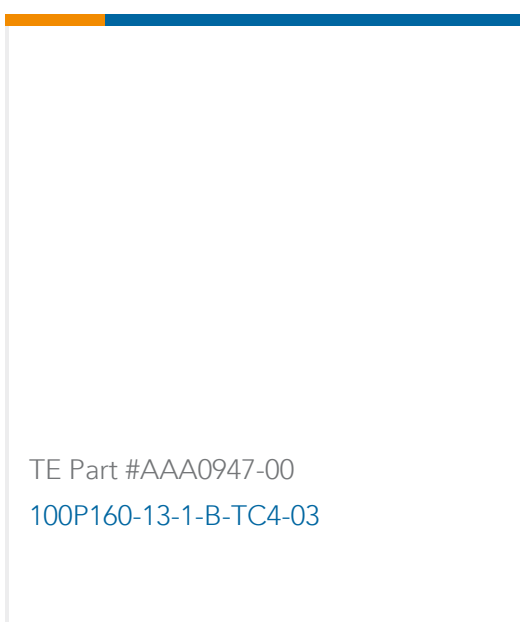
TE Part #216051-000
55A0111-18-6



TE Part #1-2286937-6
2POS,HVP800,180 DEG,50 SQMM, COD A,CS



TE Part #4-1614958-8
CPF 0805 3R01 0.1% 25ppm 1K RL



TE Part #AAA0947-00
100P160-13-1-B-TC4-03

Documents

[CAD Files](#)

[3D PDF](#)

[3D](#)

[Customer View Model](#)

[ENG_CVM_CVM_1618002-7_M.2d_dxf.zip](#)

English

[Customer View Model](#)

[ENG_CVM_CVM_1618002-7_M.3d_igs.zip](#)



English

Customer View Model

[ENG_CVM_CVM_1618002-7_M.3d_stp.zip](#)

English

By downloading the CAD file I accept and agree to the [Terms and Conditions](#) of use.

Datasheets & Catalog Pages

[5-1773450-5_sec7_EV200A](#)

English

[KILOVAC EV200 Series Contactor With 1 Form X Contacts](#)

English