

QPL QUALIFIED

MIL-DTL-38999 Series IV, Breech Coupling

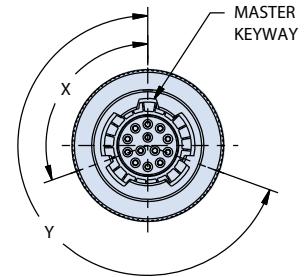
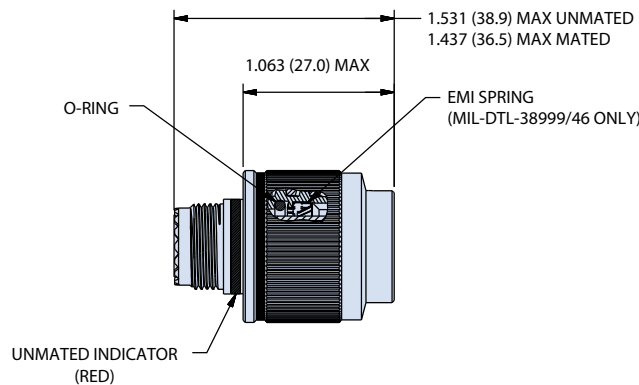
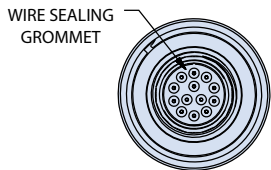
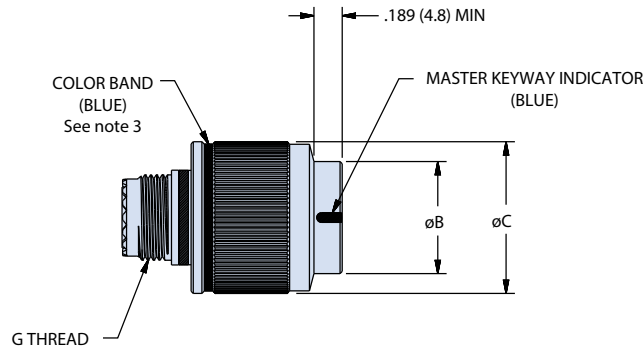
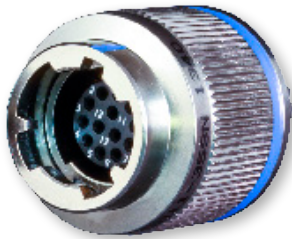
38999/46 plug with EMI ground spring

38999/47 plug without EMI ground spring



SERIES IV ENVIRONMENTAL

QPL Part Number Development						
Sample Part Number	D38999/46	W	J	30	P	N
MIL-DTL-38999	38999/46 = Plug with EMI ground spring 38999/47 = Plug without EMI ground spring					
Class	F = Environmental, aluminum, electroless nickel, conductive, -65°C to +200°C W = Environmental, aluminum, cadmium olive drab, conductive, -65°C to +175°C G = Environmental, aluminum, electroless nickel, conductive, -65°C to +200°C (space-grade)					
Shell Size	B, C, D, E, F, G, H, J					
Insert Arrangement	Per MIL-STD-1560; See reference information section for details					
Contact Style	P = Pin Insert A = Pin Gender, Less Contacts S = Socket Insert B = Socket Gender, Less Contacts					
Polarization	N (Normal), A, B, C, D, K, L, M, R; see polarization positions table					



Polarization Positions									
	N	A	B	C	D	K	L	M	R
X	110°	100°	90°	80°	70°	120°	120°	120°	120°
Y	250°	260°	270°	280°	290°	255°	265°	275°	285°

COTS EQUIVALENT MIL-DTL-38999 Series IV, Breech Coupling



234-105-46 plug with EMI ground spring
234-105-47 plug without EMI ground spring

SERIES IV ENVIRONMENTAL

COTS Part Number Development						
Sample Part Number	234-105-46	NF	11	-35	P	N
Series / Basic Part No.	234-105-46 = Environmental plug with EMI ground spring 234-105-47 = Environmental plug without EMI ground spring					
Material/Finish	ME* = Aluminum, electroless nickel, conductive, -65°C to +200°C NF = Aluminum, cadmium olive drab, conductive, -65°C to +175°C MA† = Aluminum, electroless nickel, conductive, -65°C to +200°C (space-grade)					
Shell Size	11, 13, 15, 17, 19, 21, 23, 25					
Insert Arrangement	Per MIL-STD-1560; See reference information section for details					
Contact Designator	P = Pin Insert A = Pin Gender, Less Contacts S = Socket Insert B = Socket Gender, Less Contacts					
Polarization	N (Normal), A, B, C, D, K, L, M, R ; see polarization positions table					

* Plug connectors, styles 46 and 47, with ME finish supplied with hard anodized coupling nuts
 † Connectors must be ordered with "MA" finish and modification code "-186T" to conform to the thermal vacuum outgassing requirements of Class G.
 Additional material/finish options are available, consult factory for ordering information.

Dimensions				
Shell Size	Shell Size Code	ØB Max	ØC Max	G Thread
11	B	.776 (19.71)	1.047 (26.59)	M15 X 1.0-6g 0.100R
13	C	.902 (22.91)	1.220 (30.99)	M18 X 1.0-6g 0.100R
15	D	1.039 (26.39)	1.346 (34.19)	M22 X 1.0-6g 0.100R
17	E	1.150 (29.21)	1.472 (37.39)	M25 X 1.0-6g 0.100R
19	F	1.276 (32.41)	1.583 (40.21)	M28 X 1.0-6g 0.100R
21	G	1.402 (35.61)	1.705 (43.31)	M31 X 1.0-6g 0.100R
23	H	1.528 (38.81)	1.831 (46.51)	M34 X 1.0-6g 0.100R
25	J	1.650 (41.91)	1.957 (49.71)	M37 X 1.0-6g 0.100R

NOTES

1. Insert arrangements per MIL-STD-1560.
2. Connector is supplied with contacts (including spares), insertion/removal tool and sealing plugs unless otherwise specified.
3. Blue color band indicates rear release retention system.

Additional Material/Finish Options	
Finish Code	Description
G2	Aluminum, anodize, hardcoat
ZR	Aluminum, zinc nickel, black (tri-valent cr)
MT	Aluminum, nickel PTFE