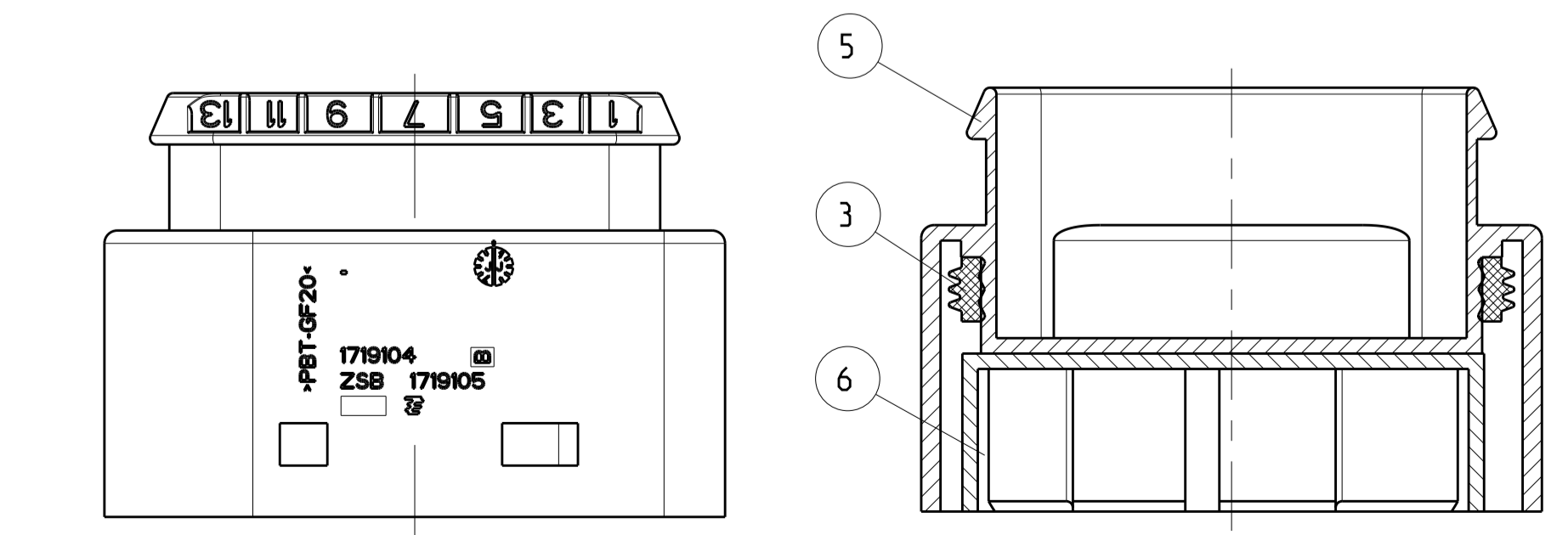
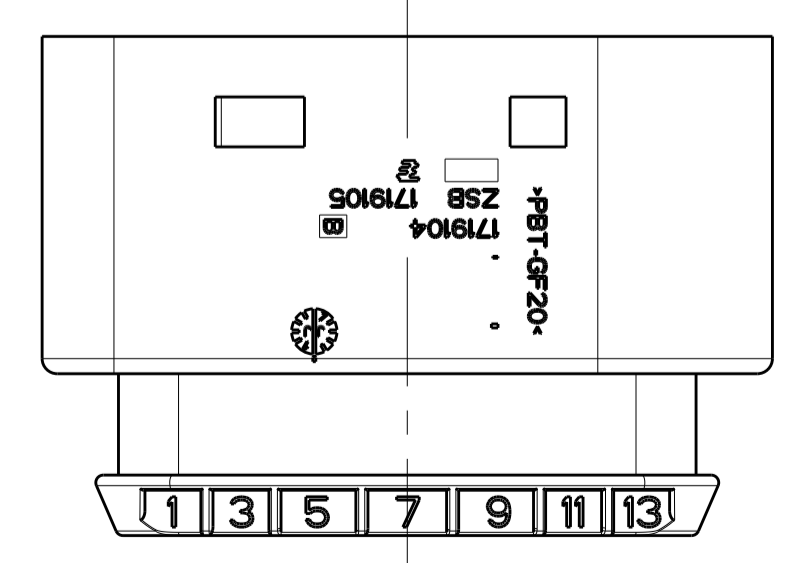
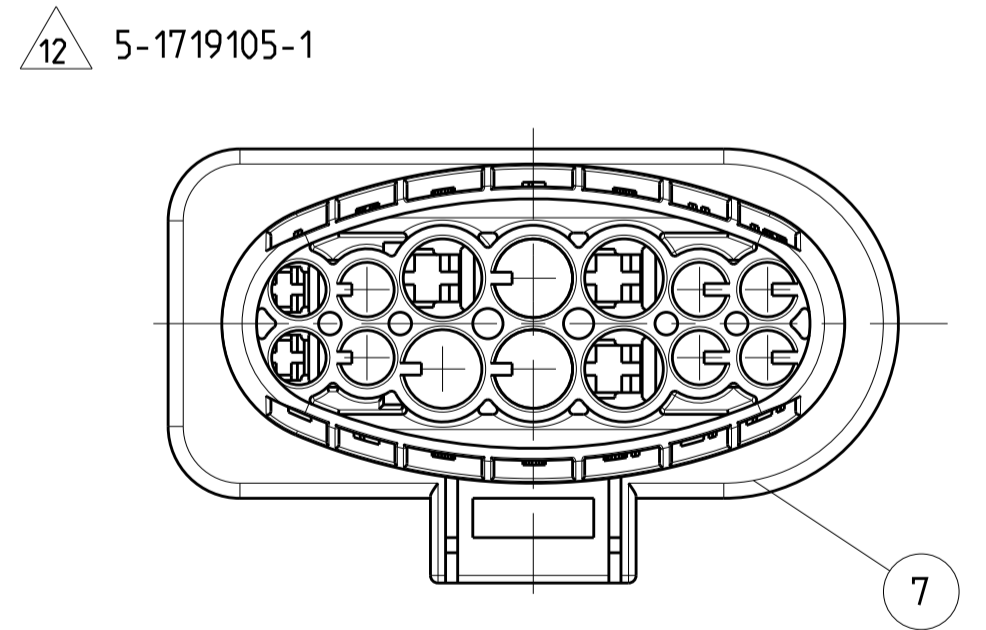
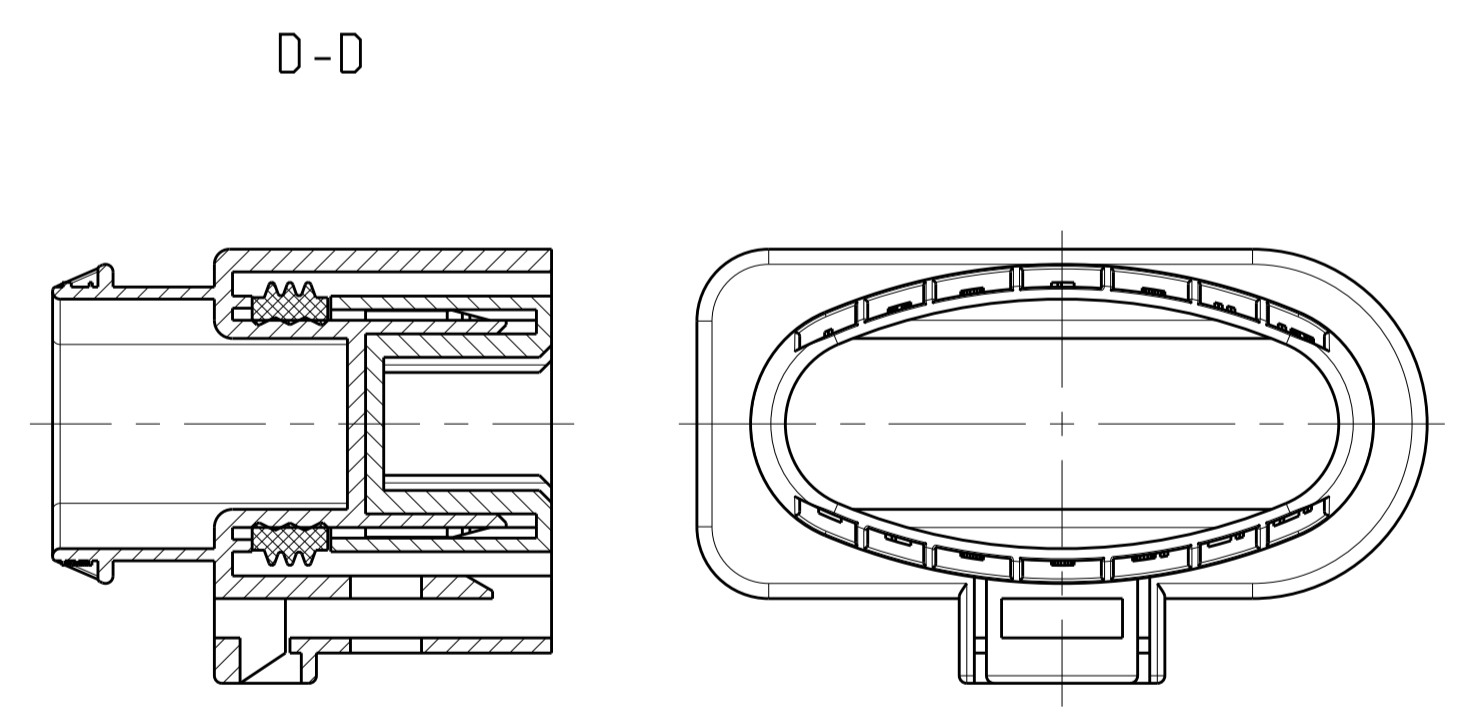
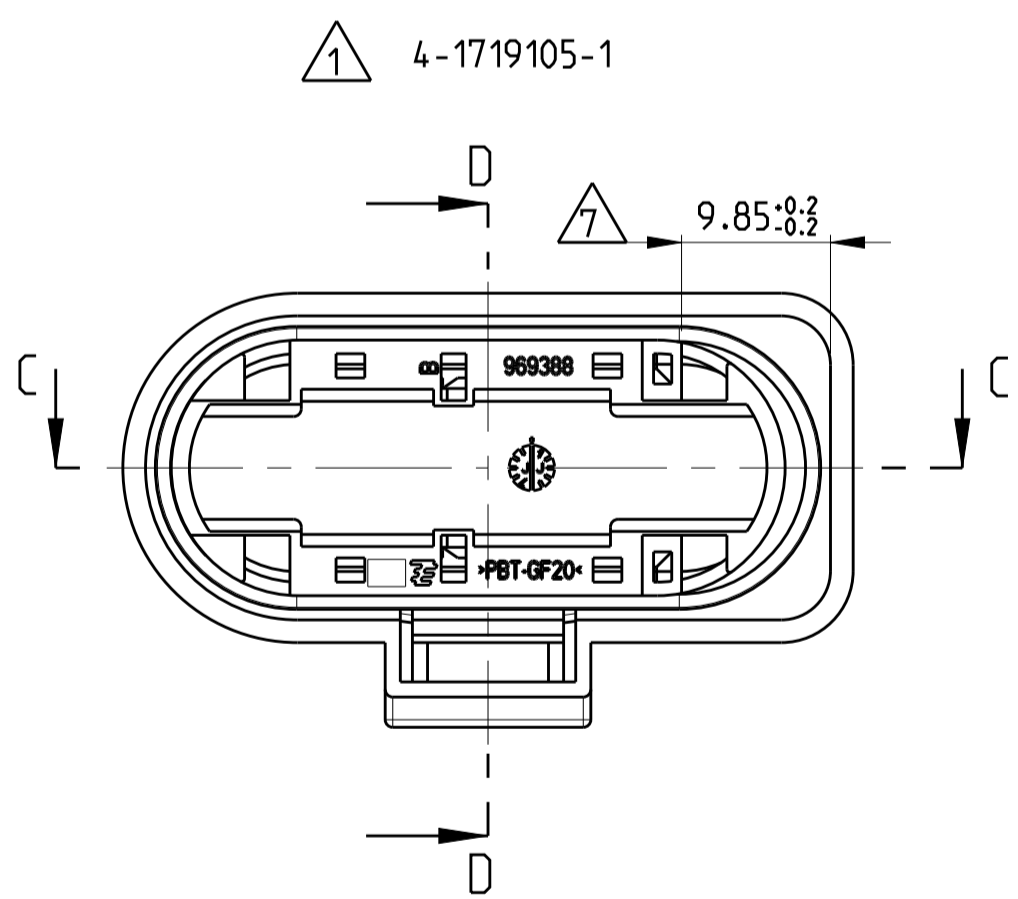
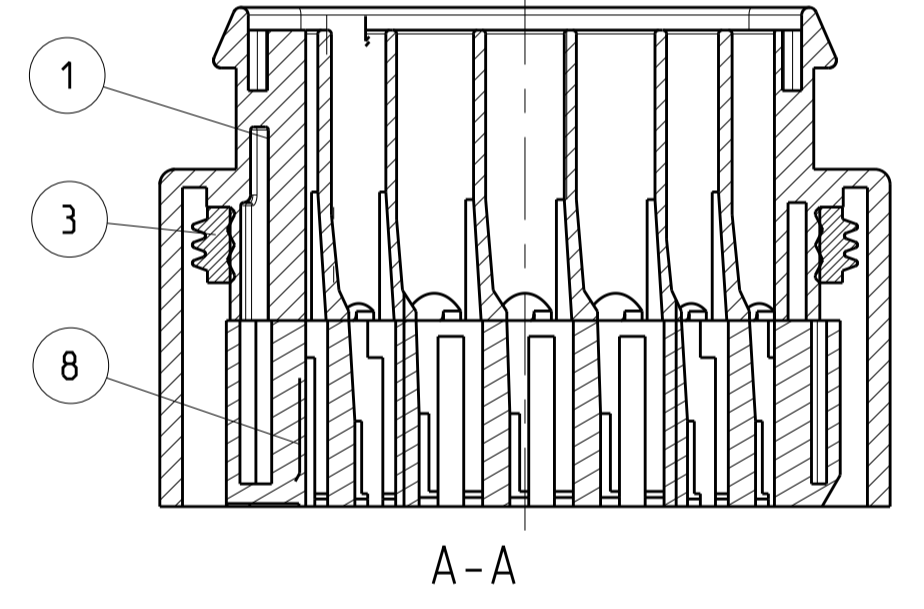
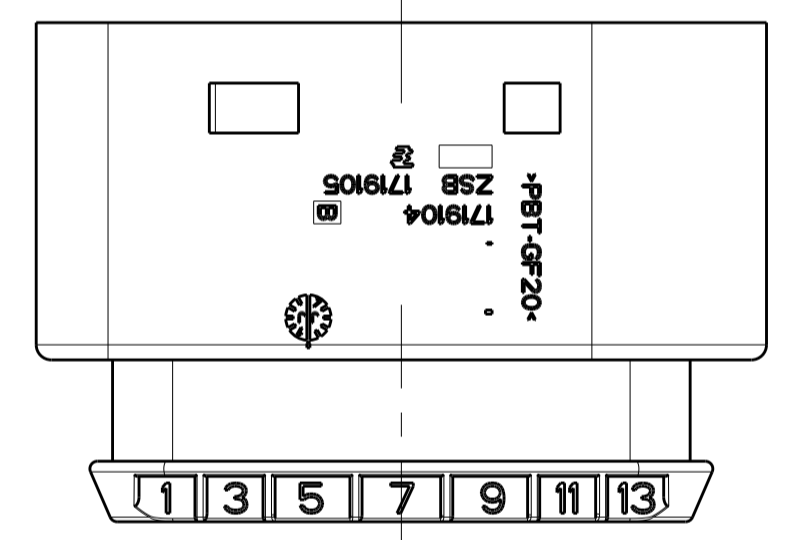
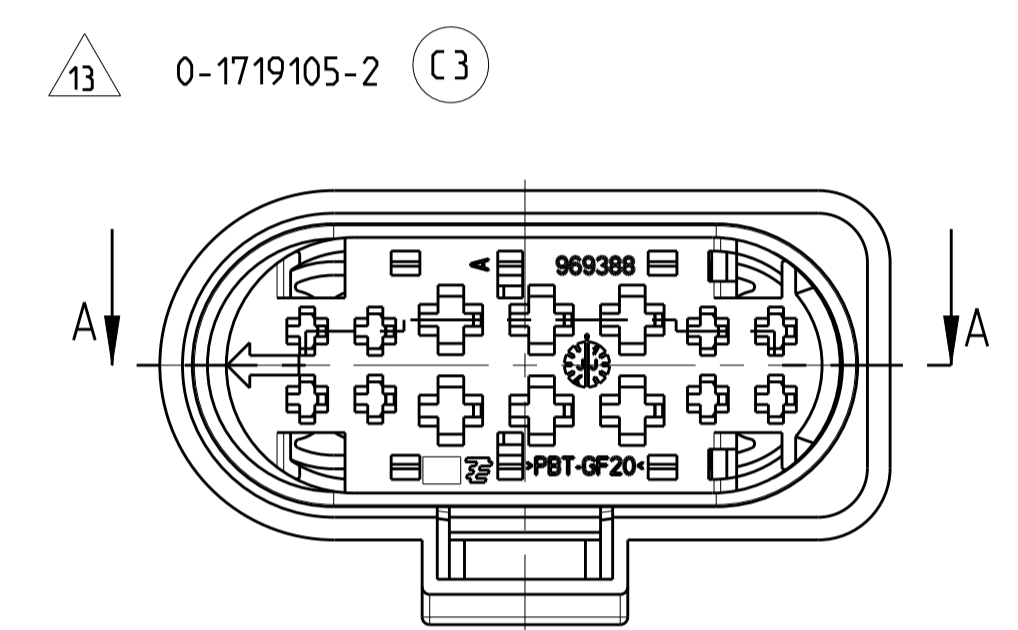
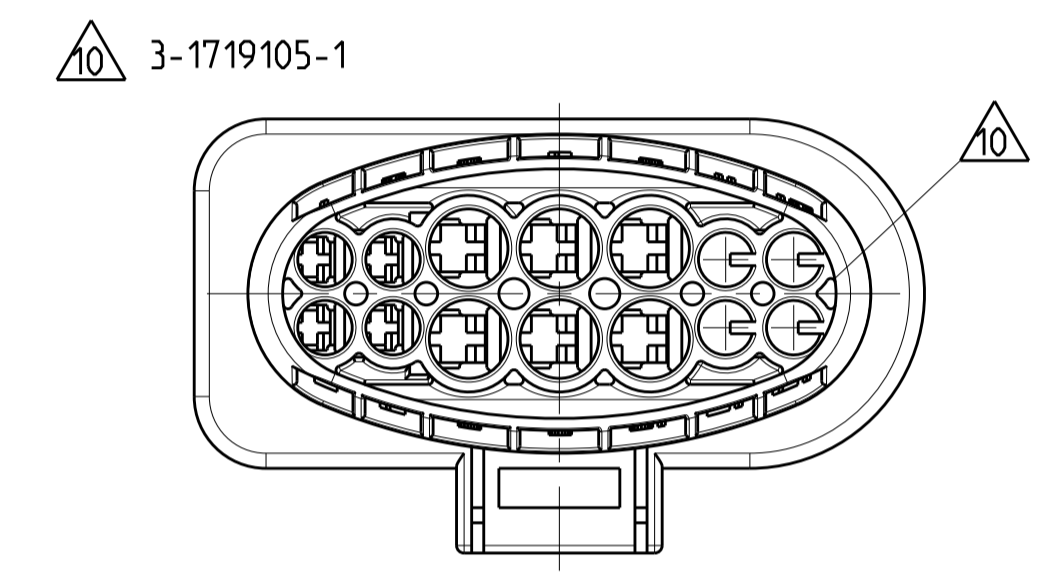
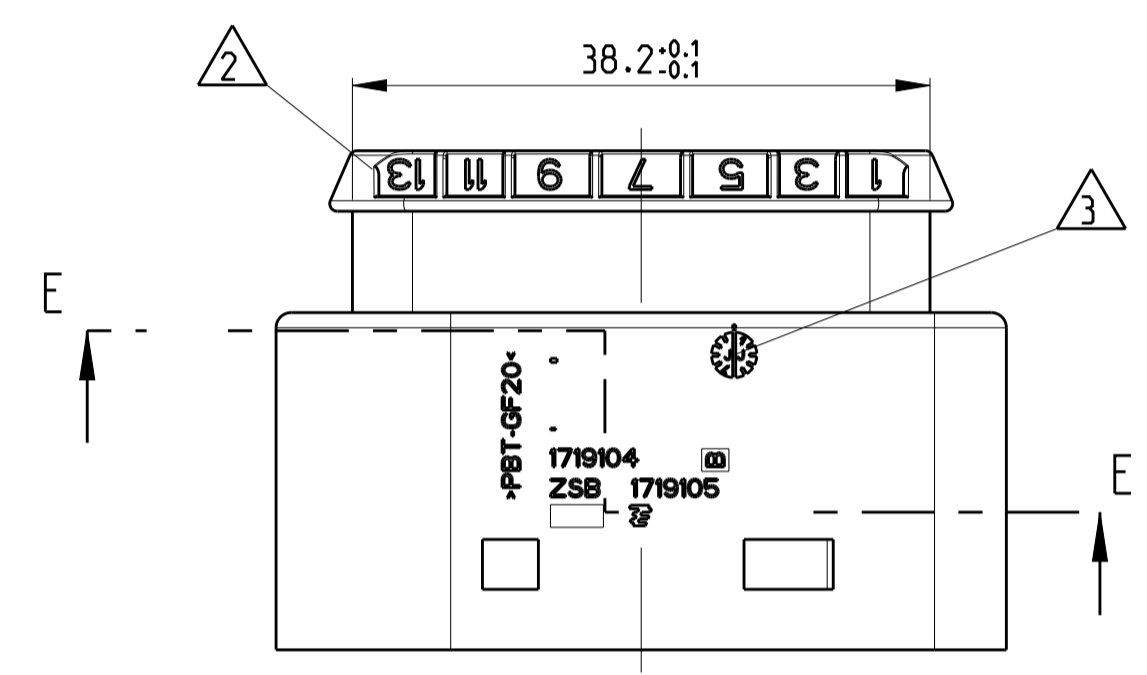
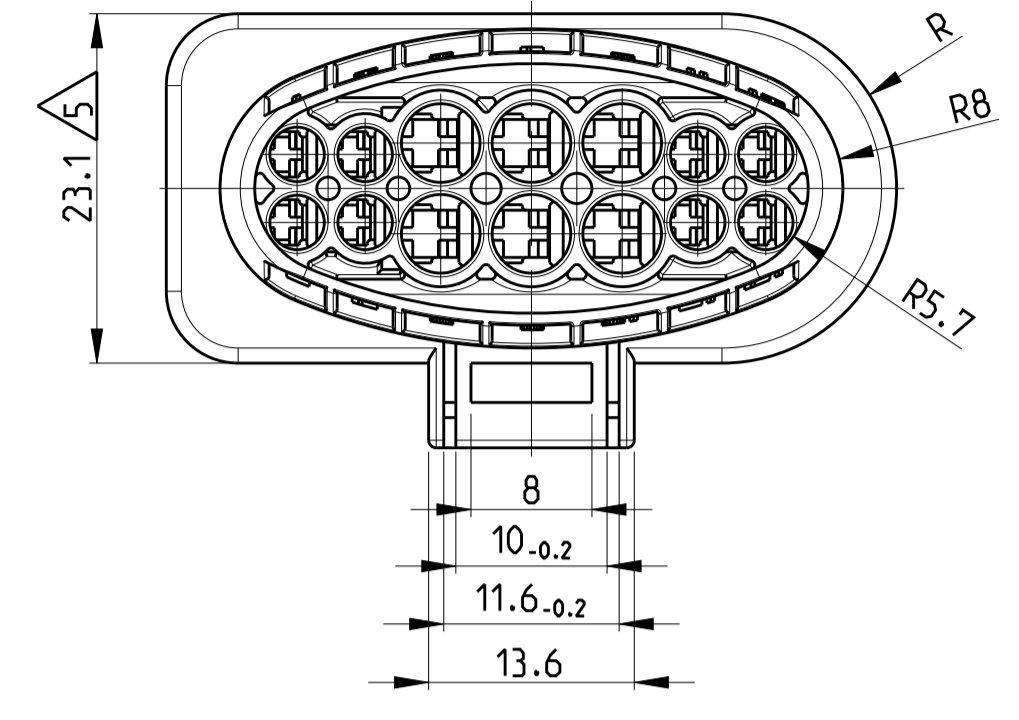
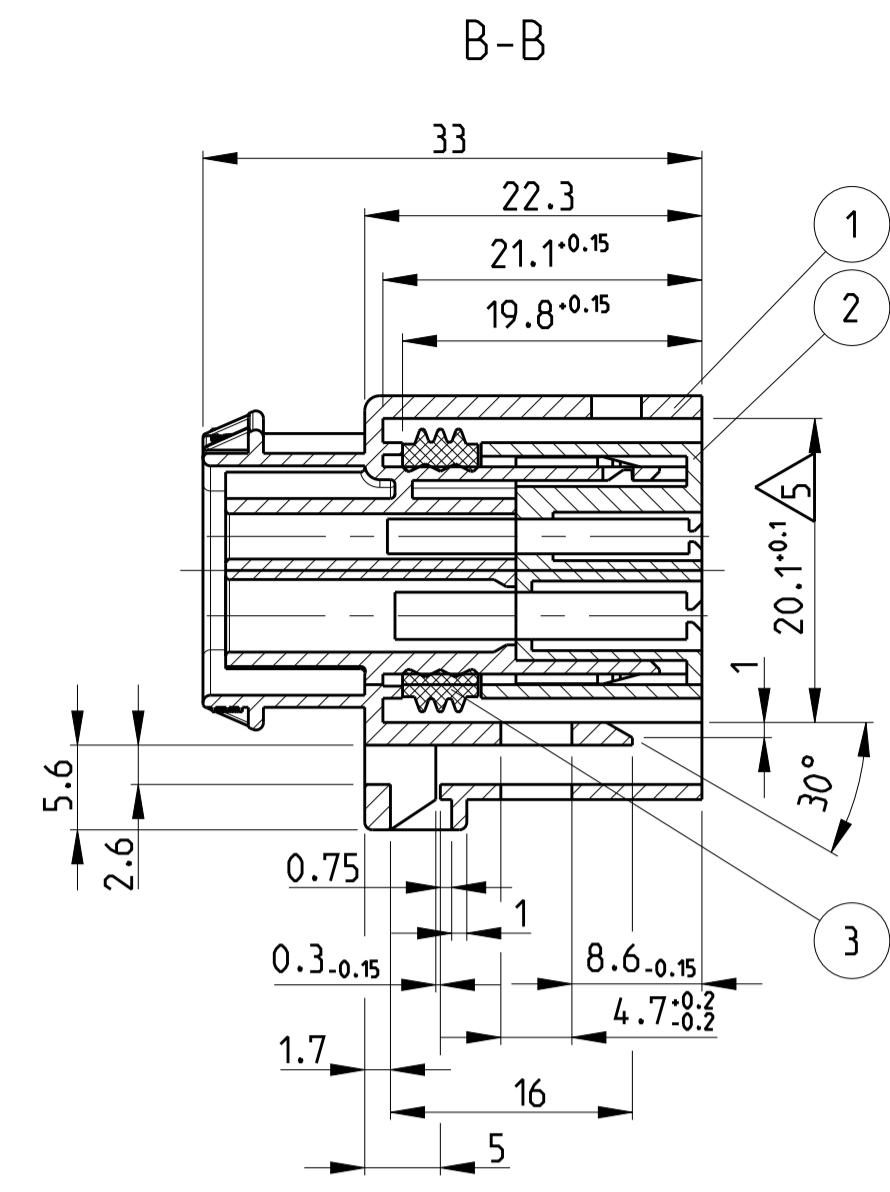
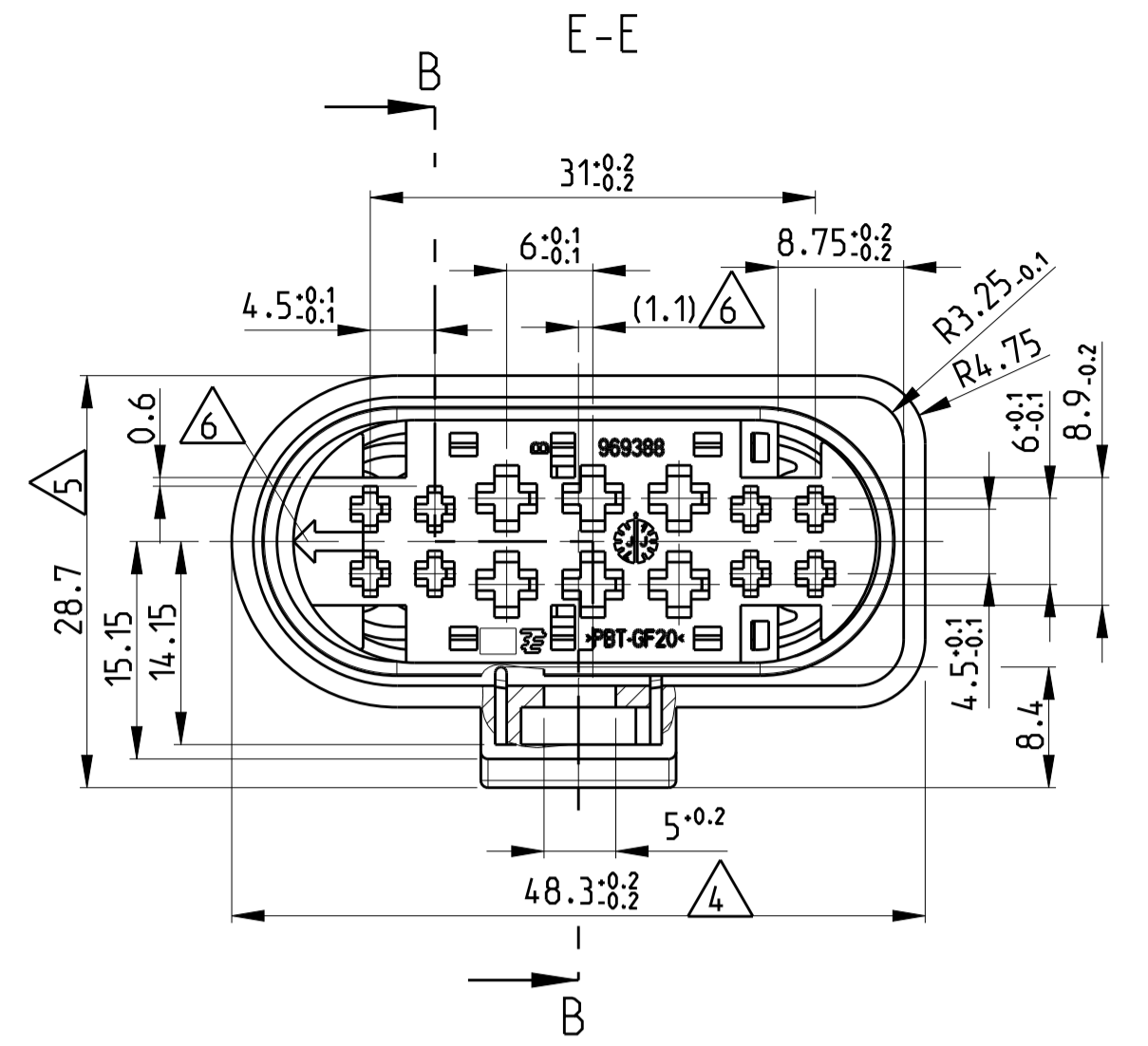
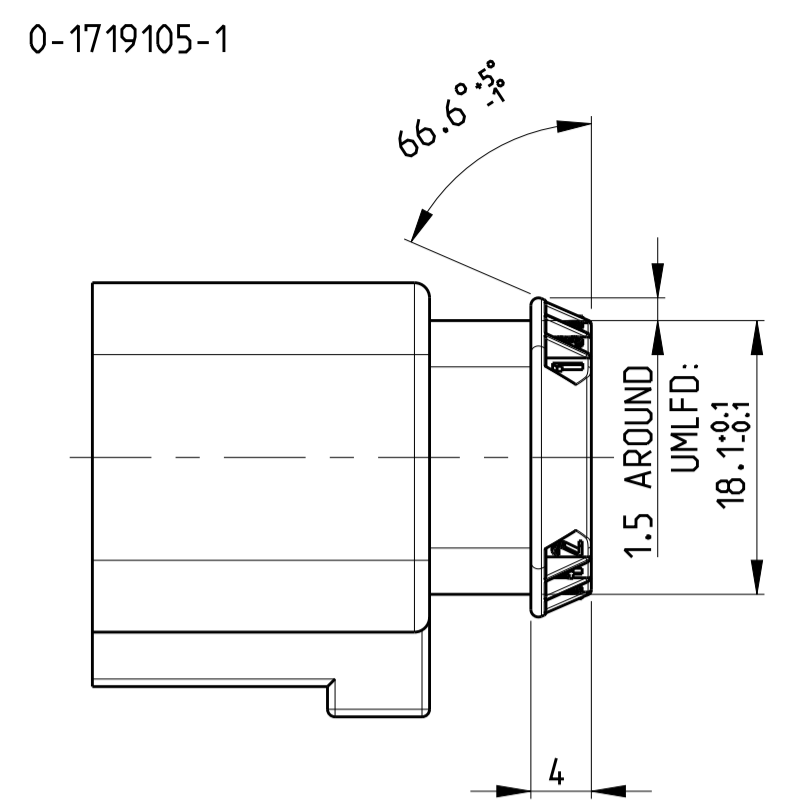


REV	DATE	BY	CHKD	DESCRIPTION
C	26MAR2010	K.G	Thiel	SAVING CORES
C1	03SEP2010	TS	Thiel	SYSTEM FAILURE CORRECTED
C2	100C 12017	MKS	ACH	5-1719105-1 ACTIVATED
C3	22JAN2018	PK	ACH	0-1719105-2 INCLUDED



- NOTES
BEMERKUNGEN
- DEAD END HOUSING ASSEMBLY, 14 POSITION, RADIAL SEAL, Junior-Power-Timer/Micro-Timer 2
 - BLINDGEHAUSE KOMPLETT, 14POLIG, RADIALDICHT, Junior-Power-Timer/Micro-Timer 2
 - CONTACT CAVITY NUMBER: CHARACTERS 2.5 RECEDE 0.3 KONTAKTKAMMERNUMMER: SCHRIFTHOEHE 2.5 VERTIEFT 0.3
 - DATE OF PRODUCTION WITH DATE INSERT Ø3 PRODUKTIONSdatum MIT DATUMSUHR Ø3
 - ALLOWED WARPAGE ±0.3 ZULAESSIGER VERZUG ±0.3
 - ALLOWED WARPAGE -0.5 ZULAESSIGER VERZUG -0.5
 - SHOWN AS SUPPLIED: RETAINER IN PRELOCKED POSITION. AFTER CONTACT LOADING TO DRIFT IN THIS DIRECTION (1. IMM)
 - LIEFERZUSTAND GEZEICHNET: VERRIEGELUNG IN VORRASTSTELLUNG. NACH KONTAKTBESTUECKUNG IN DIESER RICHTUNG VERSCHIEBEN (1. IMM)
 - SHOWN AS SUPPLIED: RETAINER IN ENDOCKED POSITION. LIEFERZUSTAND GEZEICHNET: VERRIEGELUNG IN ENDRASTSTELLUNG
 - THE PART NO 1719105 ASSEMBLED FOR EXAMPLE WITH CONTACT 964274-2/964286-2 AND SEALING 964972-1/963294-1 WILL HAVE THE SUITABLE MATING PART 969871
 - DAS TEIL 1719105 WIRD Z.B. MIT DEM KONTAKT 964274-2/964286-2 UND EINZELADERDICHTUNG 964972-1/963294-1 BESTUECKT AUF DAS TEIL 969871 GESTECKT
 - BULK PACKAGED VERPACKT ALS SCHUETTUTGUT
 - CONTACT CAVITY NO 11, 12, 13 AND 14 CLOSED KAMMER 11, 12, 13 und 14 GESCHLOSSEN
 - MARKING DEVIATIONS AT PARTS FROM OLDER MOLDS ARE ALLOWED ABWEICHENDE BESCHRIFTUNG AUS ALTWERKZEUGEN ZULAESSIG
 - CONTACT CAVITY NO 3, 4, 6, 7, 8, 11, 12, 13 AND 14 CLOSED KAMMER 3, 4, 6, 7, 8, 11, 12, 13 und 14 GESCHLOSSEN
 - VARIANTE MIT VERSCHIEBEFASEN VARIANT WITH SHIFTING CHAMFERS

REV	DATE	BY	CHKD	DESCRIPTION	QTY	ITEM NO
1	03-SEP-10	K. Gossen	F. Thiel	MVQ ORANGE SEALING. ...	1	3
2	09-JUN-05	F. Thiel	F. Thiel	PBT-GF20 VIOLET REC HOUSING. 14 POSN. ...	1	2
3	09-JUN-05	S. Glaser	S. Glaser	PBT-GF20 BLACK COVER HOUSING. 5 POSN. ...	1	7
4	09-JUN-05	S. Glaser	S. Glaser	MVQ ORANGE SEALING. ...	1	3
5	09-JUN-05	S. Glaser	S. Glaser	PBT-GF20 VIOLET SEALING LOCK. ...	1	6
6	09-JUN-05	S. Glaser	S. Glaser	PBT-GF20 BLACK DEAD END COVER HOUSING...	1	5
7	09-JUN-05	S. Glaser	S. Glaser	MVQ ORANGE SEALING. ...	1	3
8	09-JUN-05	S. Glaser	S. Glaser	PBT-GF20 VIOLET REC HOUSING. 14 POSN. ...	1	2
9	09-JUN-05	S. Glaser	S. Glaser	PBT-GF20 BLACK COVER HOUSING. 10 POSN. ...	1	4
10	09-JUN-05	S. Glaser	S. Glaser	MVQ ORANGE SEALING. ...	1	3
11	09-JUN-05	S. Glaser	S. Glaser	PBT-GF20 BLUE REC HOUSING. 14 POSN. ...	1	8
12	09-JUN-05	S. Glaser	S. Glaser	PBT-GF20 BLACK COVER HOUSING. 14 POSN. ...	1	1
13	09-JUN-05	S. Glaser	S. Glaser	MVQ ORANGE SEALING. ...	1	3
14	09-JUN-05	S. Glaser	S. Glaser	PBT-GF20 VIOLET REC HOUSING. 14 POSN. ...	1	2
15	09-JUN-05	S. Glaser	S. Glaser	PBT-GF20 BLACK COVER HOUSING. 14 POSN. ...	1	1

MISSING DIMENSION SEE 0-1719105-1